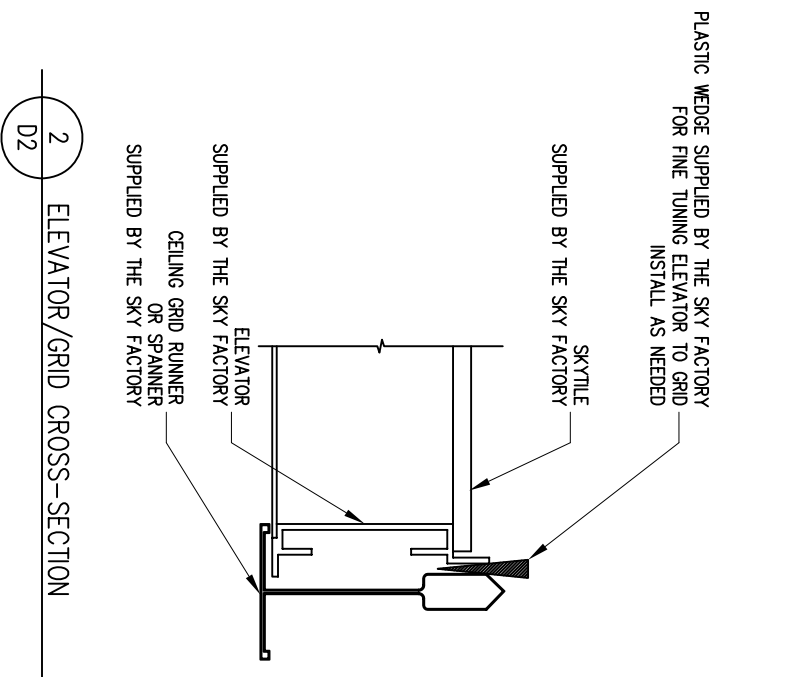
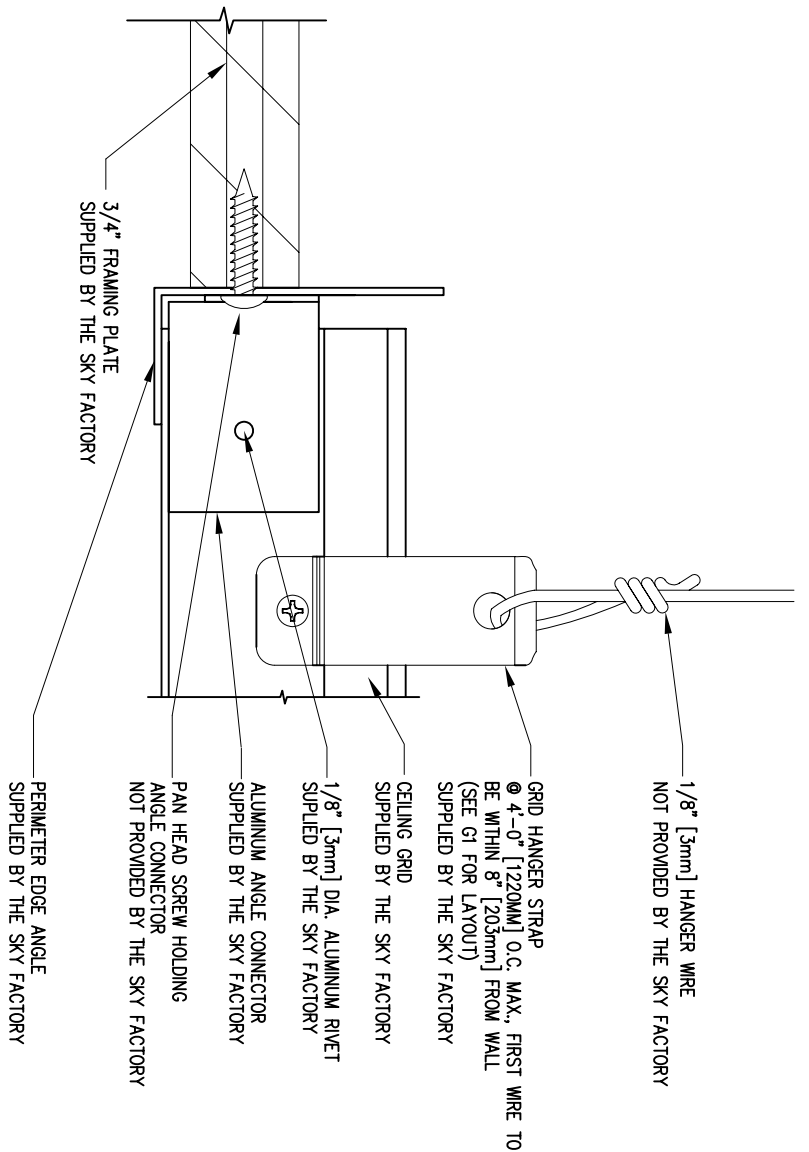


PRODUCT

**LUMINOUS ELLIPSE SKYCEILING**  
**W/PVC PERIMETER & FRAMING PLATE**

REVISIONS		DRAWN BY	DATE CREATED
DATE	COMMENTS	JE	10/5/2007



1  
D2

PERIMETER EDGE DETAIL  
 CEILING GRID TO CURVED PERIMETER ANGLE  
 (ELEVATOR, HOLD-DOWN AND BACKER ROD  
 REMOVED FOR CLARITY)

2  
D2

ELEVATOR/GRID CROSS-SECTION

